

Water terminal unit

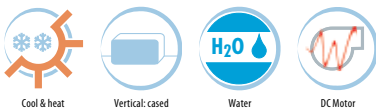
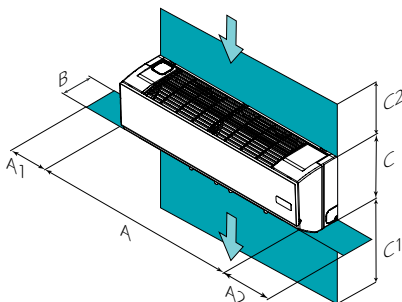
Indoor installation, wall-mounted, cased
Capacity from 2,20 to 4,45 kW

ELFOSpace WALL3

ELFOSpace WALL3 is a range of cased water terminals that are cleverly designed to be placed in the space above doors or at mid-height on walls, and are particularly suitable, thanks to the accurate design, to residential and hotel installations.

These units also feature:

- ▶ available with standard DC Brushless motor;
- ▶ new design;
- ▶ standard version with infrared electronics;
- ▶ high efficiency and quiet operation;
- ▶ air flow direction control;
- ▶ the unit is supplied with 3-way valve built-in.

**functions and features****dimensions and clearances**

Size – CFW		007.0	009.0	011.0	017.0	021.0
A - Length	mm	916	916	916	1074	1074
B - Width	mm	218	218	218	221	221
C - Height	mm	290	290	290	317	317
A1	mm	300	300	300	300	300
A2	mm	300	300	300	300	300
C1	mm	2000÷3000	2000÷3000	2000÷3000	2000÷3000	2000÷3000
C2	mm	300	300	300	300	300
Operating weight	kg	12	12	12	14,7	14,7

The above mentioned data are referred to standard units for the constructive configurations indicated. For all the other configurations, refer to the relative Technical Bulletin.

CAUTION! For trouble-free operation of the unit it is essential to maintain the safety distances indicated by the green areas.

versions and configurations

STANDARD CONFIGURATION:

- ▶ **IRPCB** Electronics with infrared remote control
- ▶ **R05** R05 infrared remote control
- ▶ **VEC** High efficiency EC fan
- ▶ **3V2** Three-way valve kit for 2-pipe "on/off" system

technical data

Size - CFW		007.0	009.0	011.0	017.0	021.0
2-pipe						
HIGH SPEED						
Airflow	m ³ /h	425	510	680	850	1,020
▶ Cooling capacity	(1) kW	2,20	2,64	3,08	4,07	4,45
Sensible capacity	(1) kW	1,63	1,97	2,33	3,05	3,36
Water flow-rate	(1) l/h	380	450	530	700	770
Water pressure drop	(1) kPa	23,10	33,60	42,00	34,90	36,30
▶ Heating capacity	(2) kW	2,57	3,15	3,71	4,85	5,38
Water flow-rate	(2) l/h	450	550	640	840	930
Water pressure drop	(2) kPa	29,95	44,14	57,16	41,73	47,32
Total power input	W	11	20	24	28	38
MEDIUM SPEED						
Airflow	m ³ /h	410	427	550	692	820
▶ Cooling capacity	(1) kW	2,14	2,34	2,71	3,57	3,91
Sensible capacity	(1) kW	1,59	1,74	2,03	2,65	2,93
Water flow-rate	(1) l/h	370	400	470	610	670
Water pressure drop	(1) kPa	22,11	27,40	33,79	27,85	29,09
▶ Heating capacity	(2) kW	2,51	2,78	3,24	4,23	4,69
Water flow-rate	(2) l/h	430	480	560	730	810
Water pressure drop	(2) kPa	28,65	35,63	45,16	32,90	37,26
Total power input	W	9	16	20	24	32
LOW SPEED						
Airflow	m ³ /h	320	349	504	586	670
▶ Cooling capacity	(1) kW	1,78	2,02	2,56	3,18	3,43
Sensible capacity	(1) kW	1,31	1,49	1,91	2,35	2,55
Water flow-rate	(1) l/h	310	350	440	550	590
Water pressure drop	(1) kPa	16,19	21,37	30,70	22,86	23,22
▶ Heating capacity	(2) kW	2,08	2,40	3,05	3,76	4,10
Water flow-rate	(2) l/h	360	420	530	650	710
Water pressure drop	(2) kPa	20,81	27,58	40,80	26,85	29,43
Total power input	W	8	9	17	18	27
Standard power supply	V	220-240/1/50				
Type of supply fan	(3) -	TGZ DC				
No. of supply fans	-	1	1	1	1	1
H Sound pressure level	(4) dB(A)	30	32	36	38	40
M Sound pressure level	(4) dB(A)	26	28	32	34	36
L Sound pressure level	(4) dB(A)	23	25	29	30	31
H Sound power level	(4) dB(A)	41	44	47	49	51
M Sound power level	(4) dB(A)	37	39	43	45	47
L Sound power level	(4) dB(A)	34	36	40	41	42

Notes

The Product is compliant with the Erp (Energy Related Products) European Directive. It includes the Commission delegated Regulation (EU) No 2016/2281, also known as Ecodesign Lot21.

(1) Entering exchanger water 7°C (temperature differential 5°C) - Ambient air 27°C D.B. / 19°C W.B.

(2) Entering exchanger water 45°C (temperature differential 5°C) - Ambient air 20°C

(3) TGZ DC = DC Brushless tangential fan

(4) Sound levels tested in anechoic chamber and referring to units for 2-pipe systems. The sound pressure level refers to 1 m from the external surface of the unit operating in the open field.

accessories

- ▶ **KJR90X** Wall electronic room control
- ▶ **KJR150X** Indoor units group controller
- ▶ **CCM30BX** Centralized controller with case
- ▶ **CCM08X** Bacnet gateway

- ▶ **LONGWX** Lonworks gateway
- ▶ **CCM18UX** Modbus gateway up to 16 indoor units
- ▶ **CCM18X** Modbus gateway up to 64 indoor units

Key to symbols and notes

- Accessories separately supplied

For compatibility between the various accessories, please refer to the dedicated Technical Bulletin or our website in the Systems and Products section.